

Expociencia - ¿Cómo vemos lo invisible?

Camilo Cortés, Andrea Roche, Pokhee Saharia, Mirald Tuzi, Julio Ureña

13th May 2026

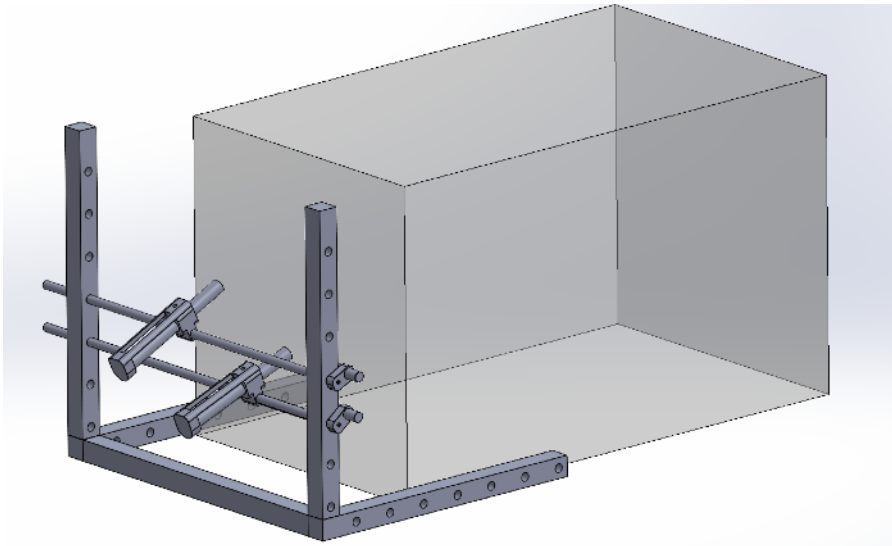


Our stand - ¿Cómo vemos lo invisible?

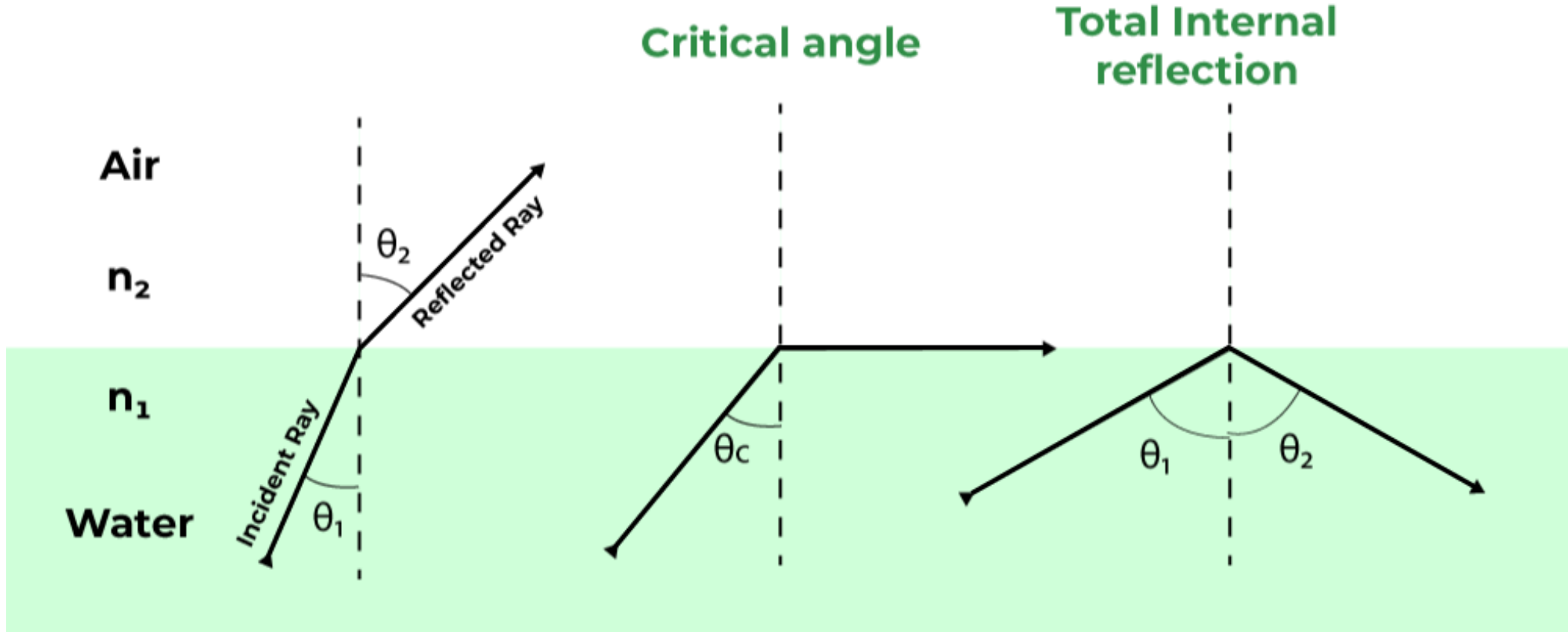


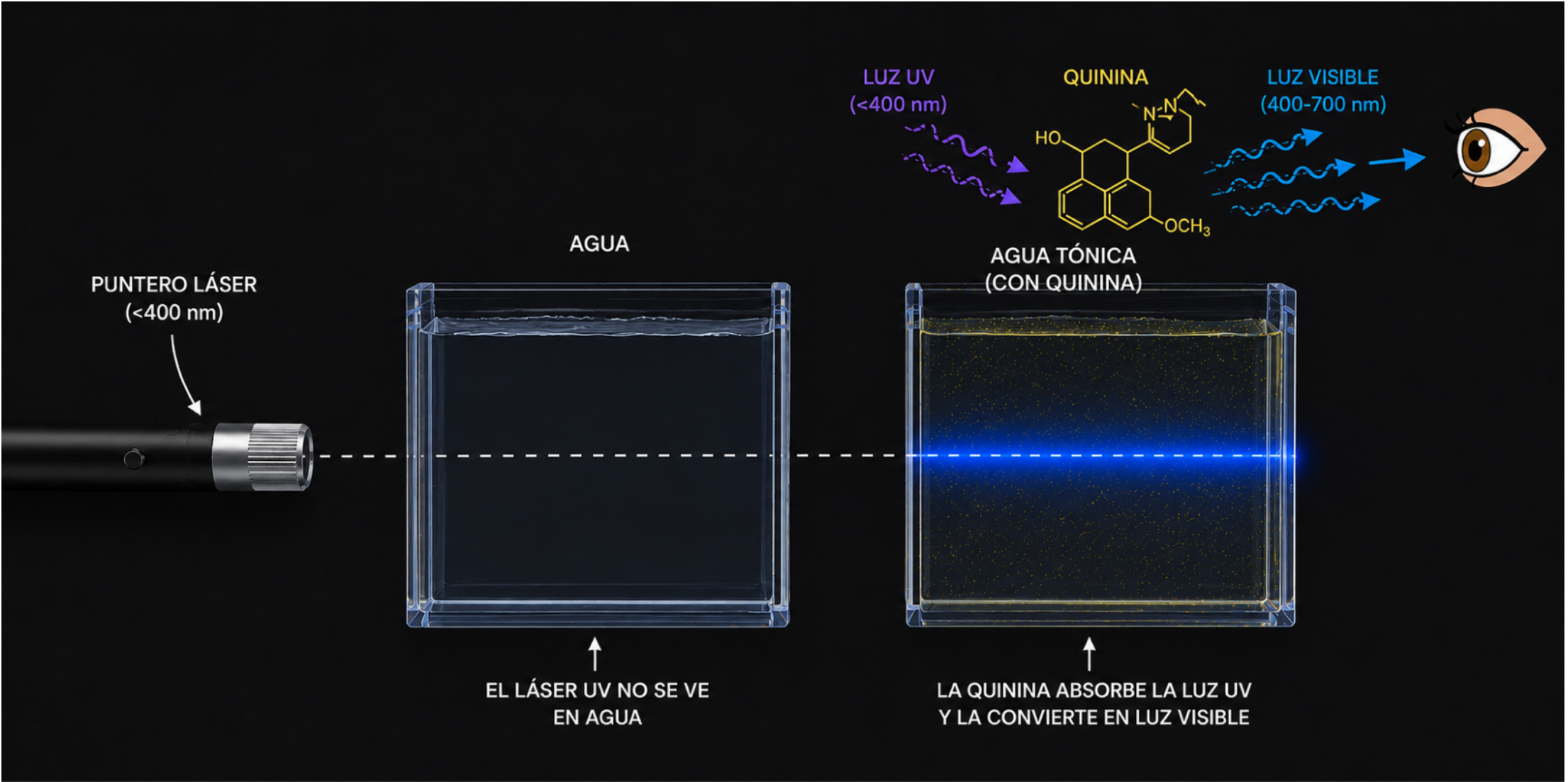
Our experiment - Setup

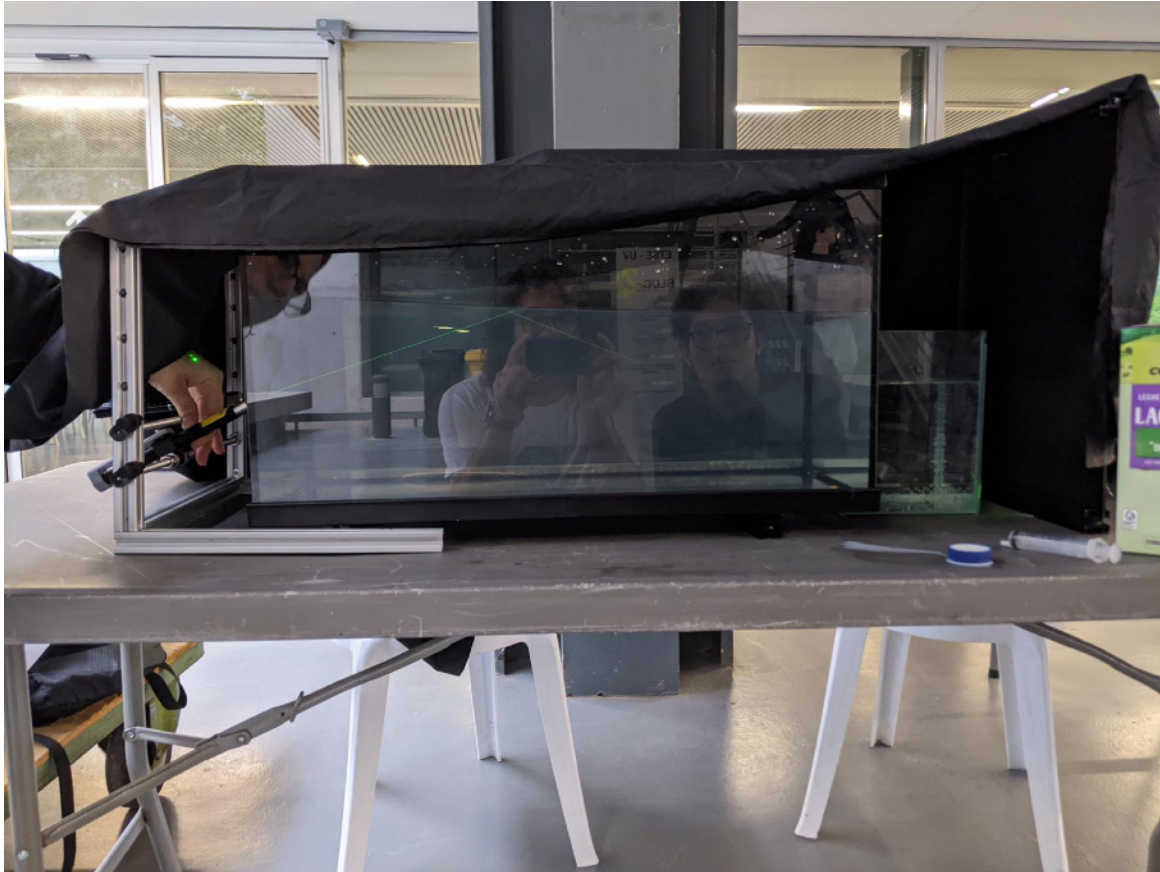
Many thanks to Michel and Nadia for the lasers, Jesus for making the lasers frame, Justo, Neus and IFIC for organizing and contributing to the equipment payments, and all the neutrino team!



Total Internal Reflection



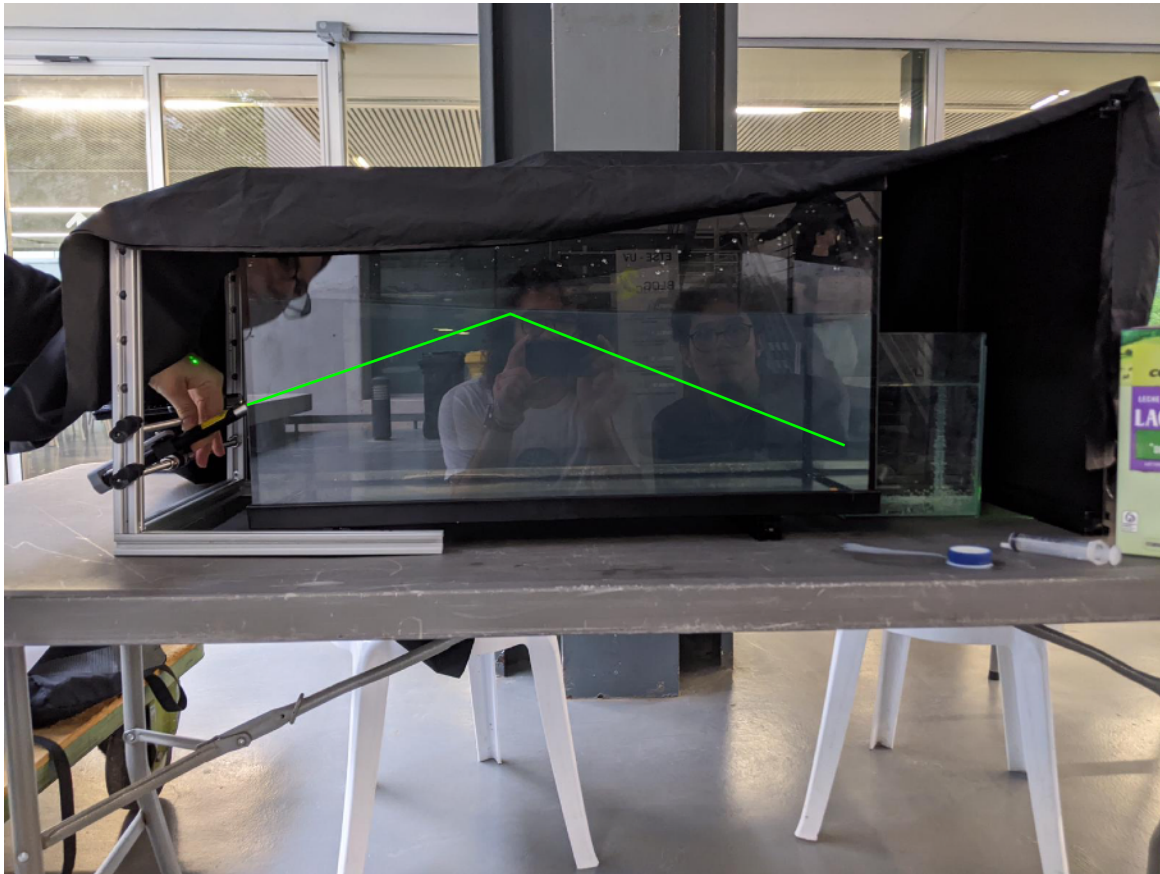




Total internal reflection in water with the green laser



Fluorescence of tonic water with a violet laser (405nm)



Total internal reflection in water with the green laser



Fluorescence of tonic water with a violet laser (405nm)