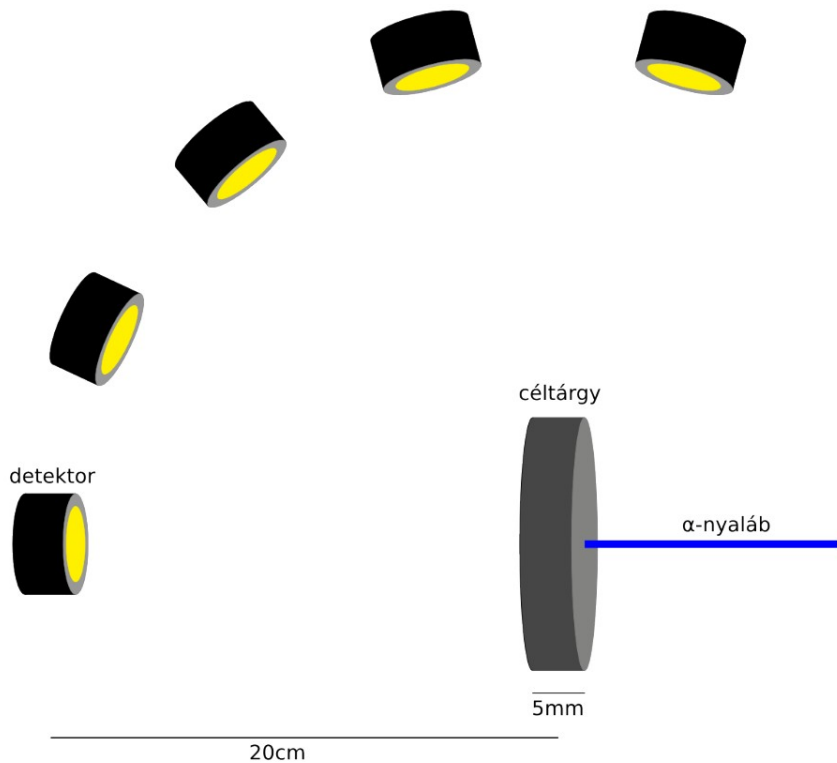


BSc project

Simulation (Geant4)

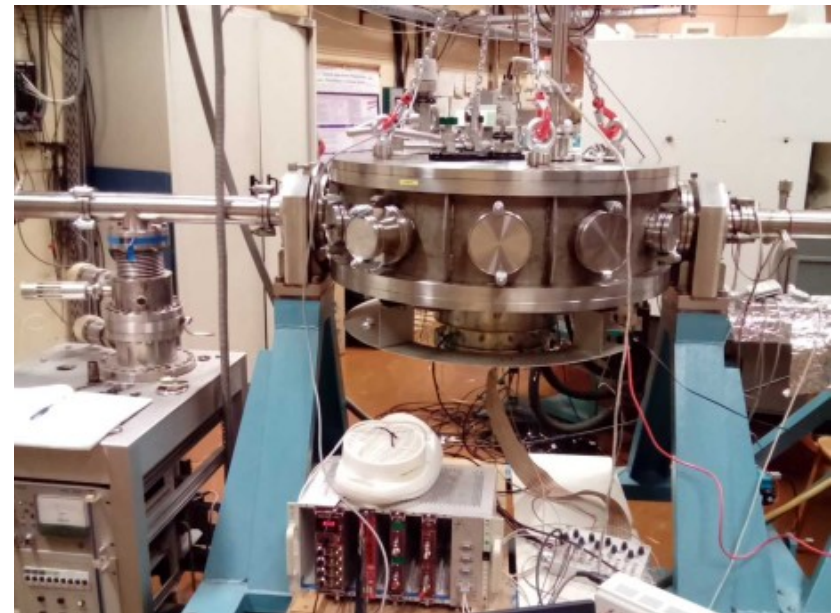
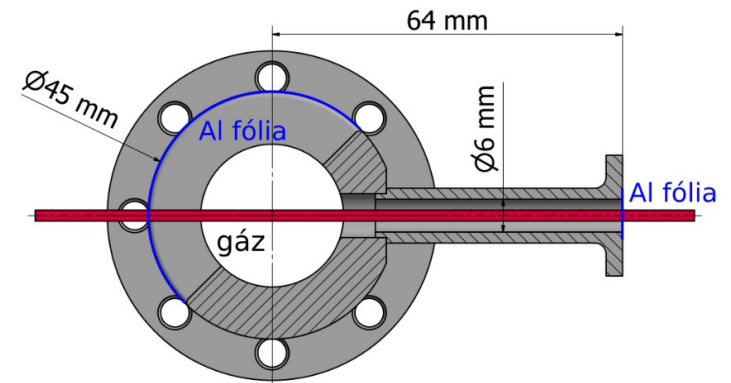
Scattering: $^{124}\text{Xe}(\alpha, \alpha')$

Nuclear astrophysical
p-process study



MSc project

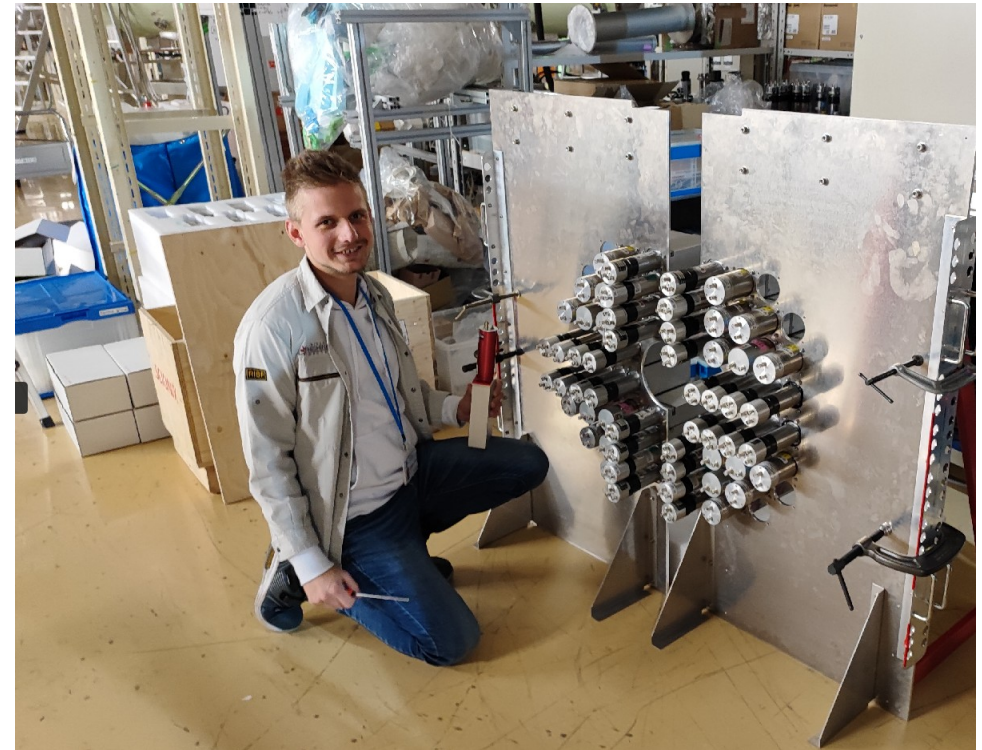
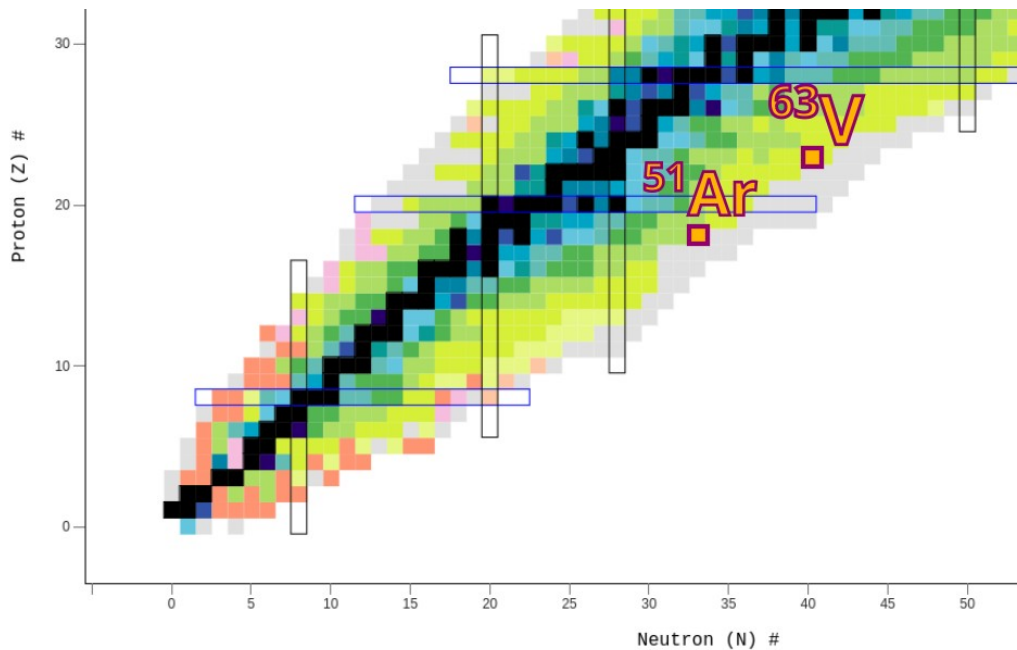
Experiment: test target
with α - α scattering



PhD: Nuclear structure of exotic nuclei

Analysis of RIKEN experiment

- Gamma-spectroscopy of ^{51}Ar and ^{63}V
- ROOT analysis



Now as a postdoc

Data analysis: Total Absorption Gamma
Spectroscopy (TAGS) experiment

and

Geant4 simulation of LaBr₃ detector system

Love playing ultimate frisbee

