



MECHANICS UPDATE

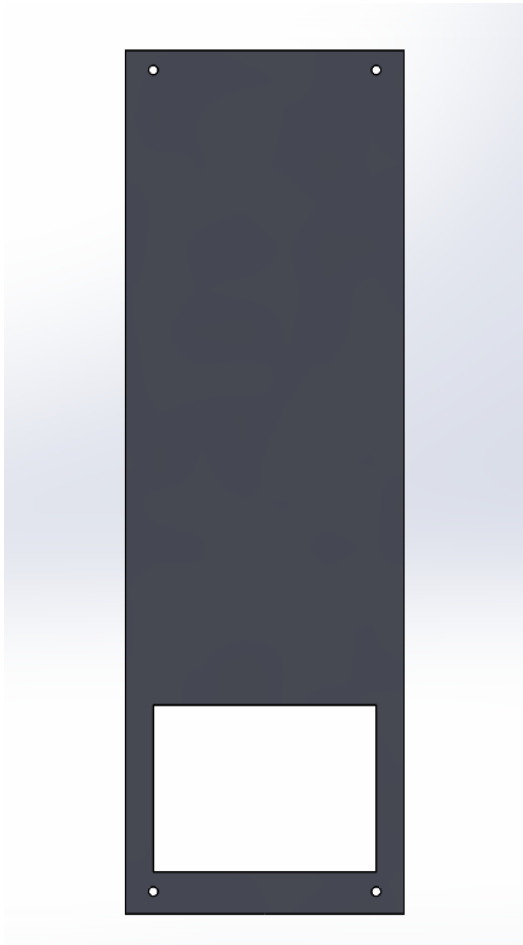
J. V. Civera, P. León



TOPICS

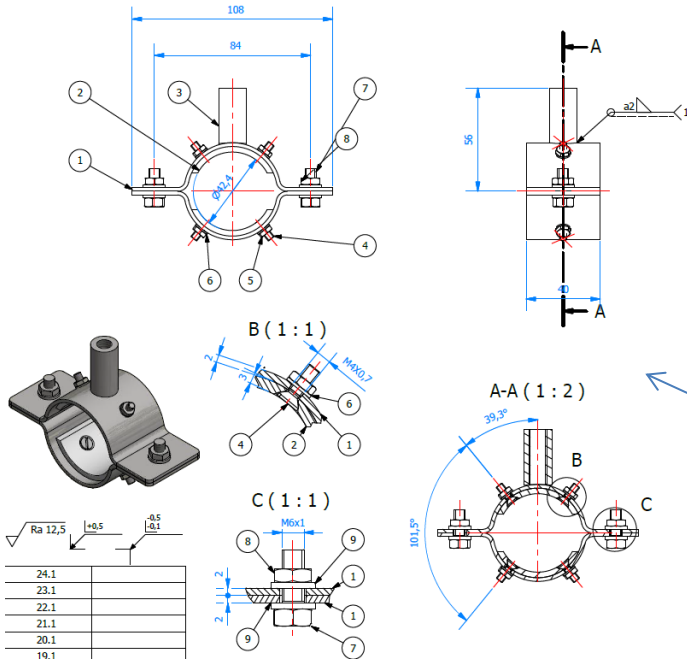
- CALIBRATION: PCB-1, PCB-2
- CABLES SUPPORT
- SENSOR SUPPORT
- NEXT STEPS/INPUTS NEEDED

CALIBRATION: PCB-1, PCB-2

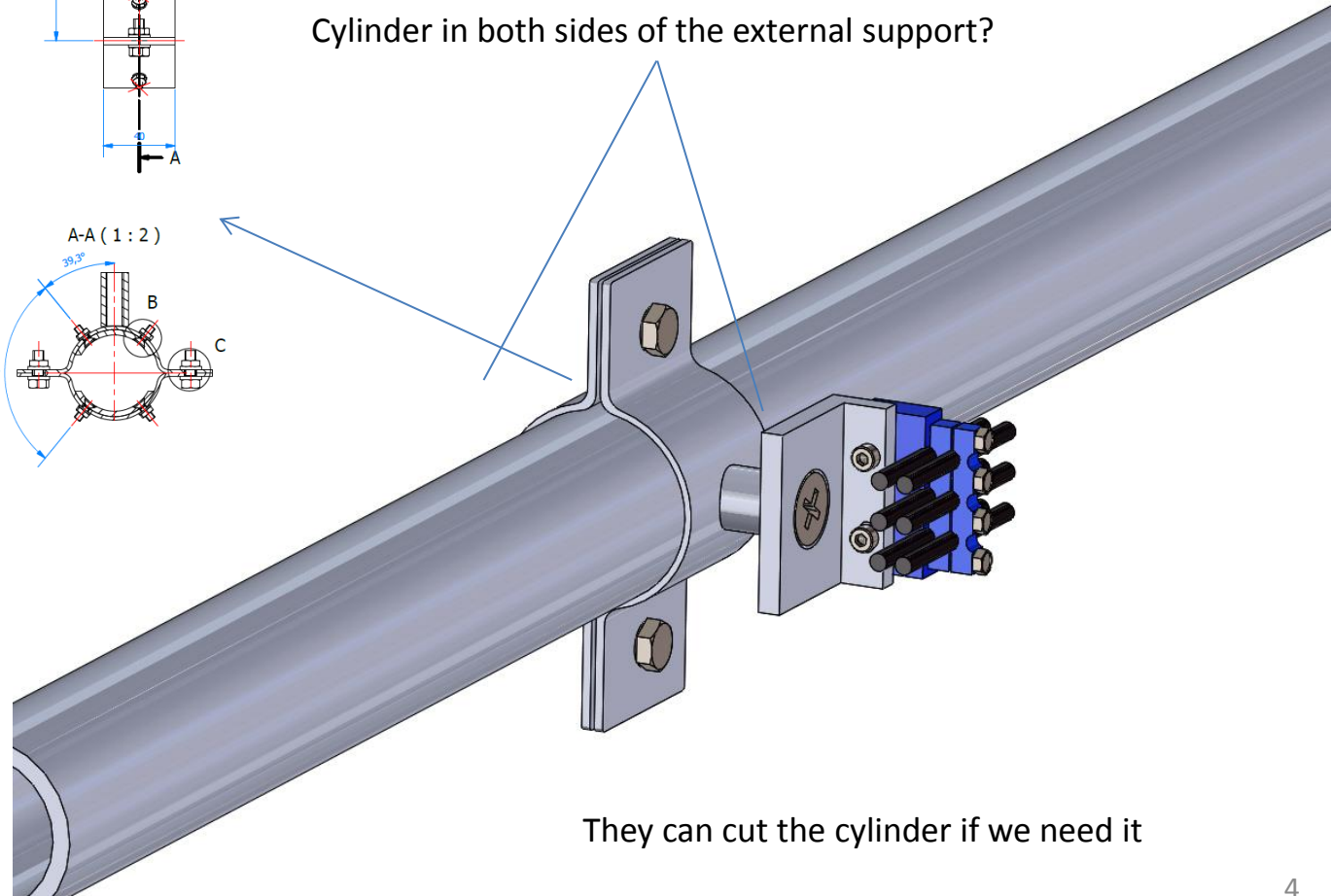


CABLES SUPPORT

The whole design is oriented to homemade production, except for the external support.



Cylinder in both sides of the external support?



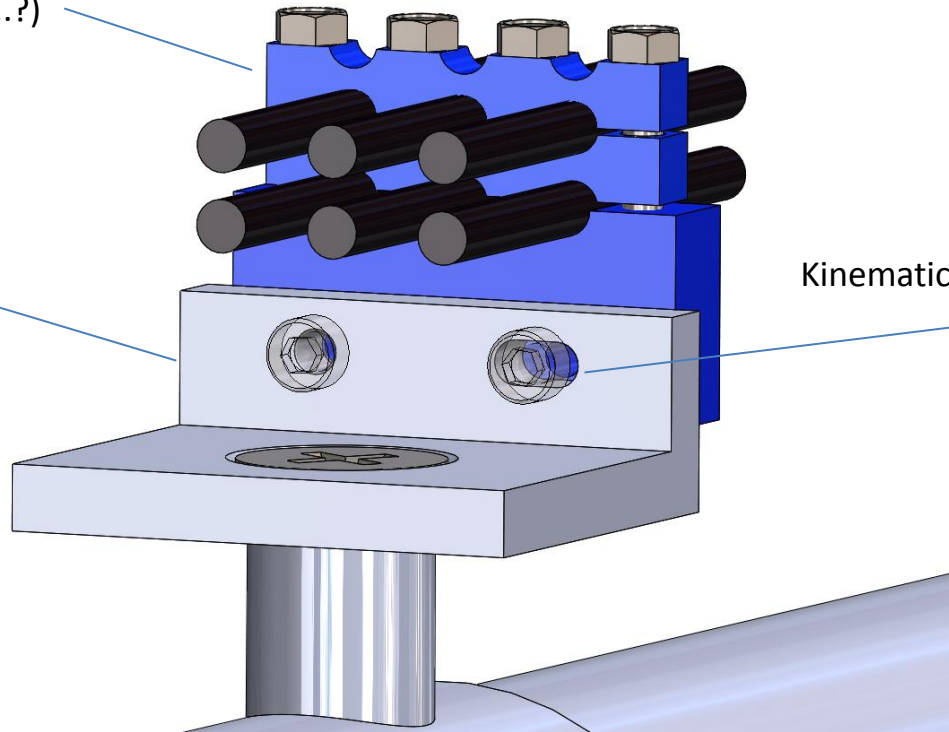
They can cut the cylinder if we need it

CABLES SUPPORT

Plastic pieces (teflon, fr4..?)

Aluminum part

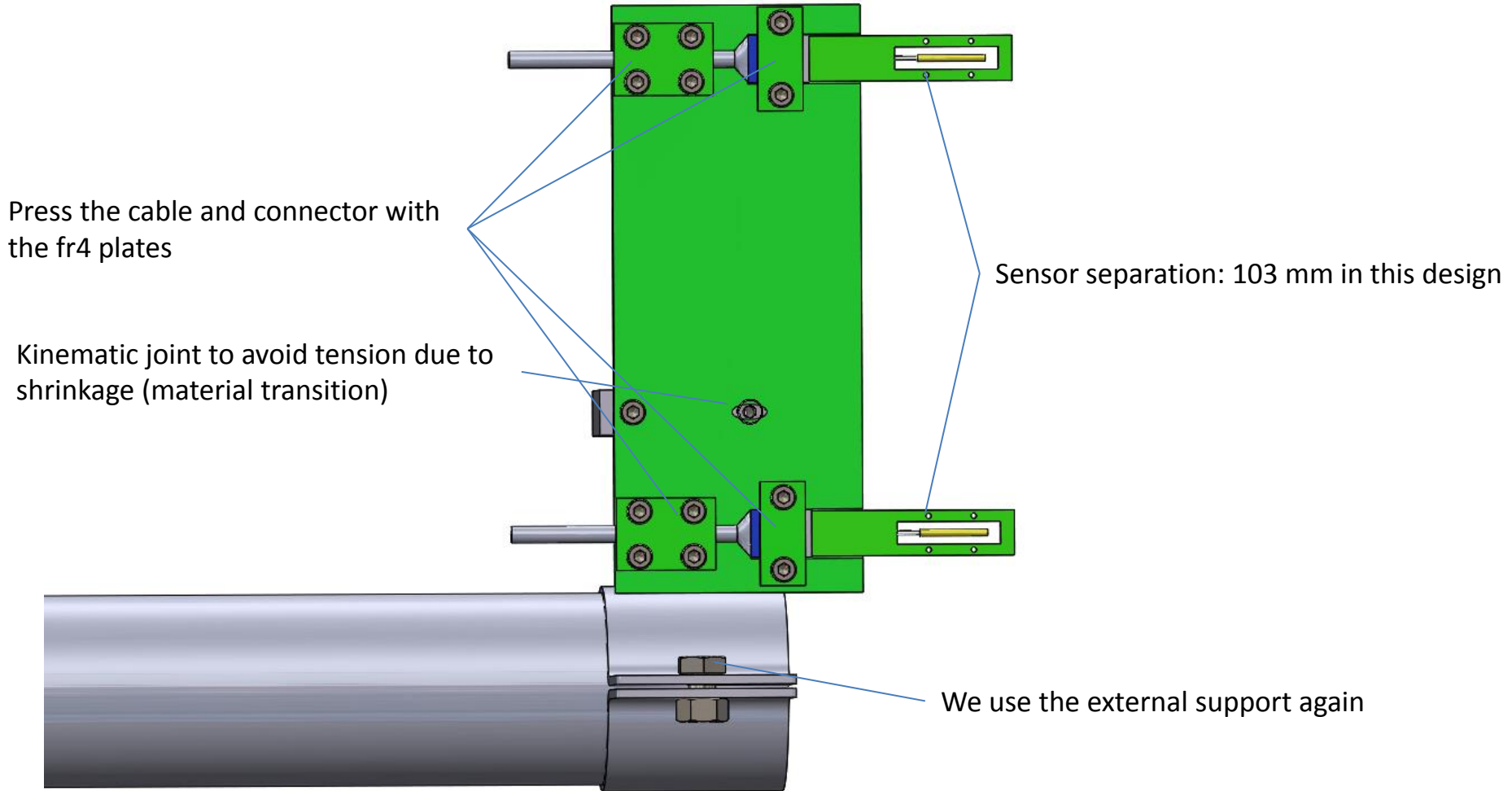
Kinematic joint in the material transition



This design allows fix the cables, or let them free.
Fix or free cables? we have to decide and calculate the clearance

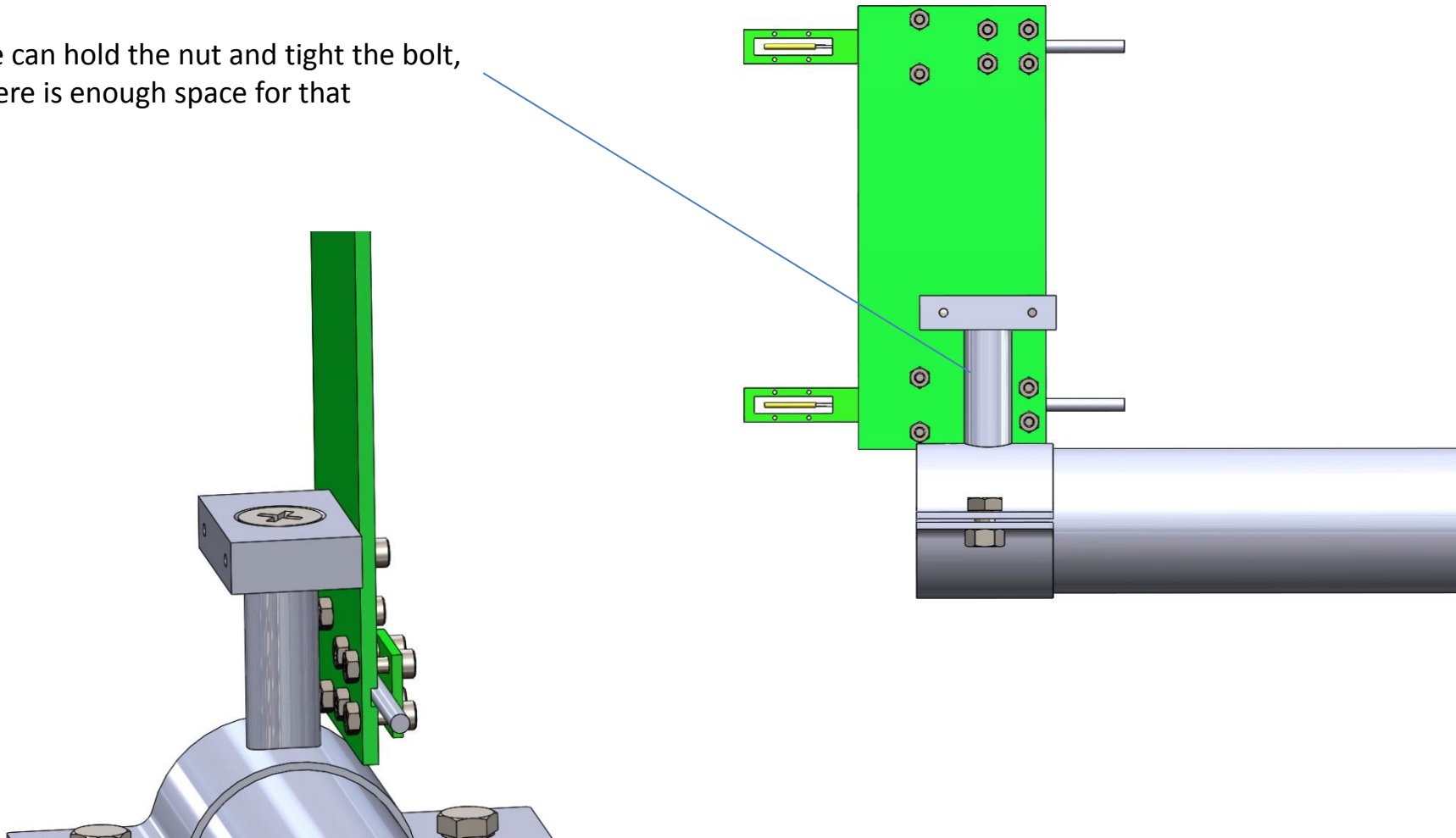
SENSOR SUPPORT

The whole design is oriented to homemade production, except for the external support.



SENSOR SUPPORT

We can hold the nut and tight the bolt,
There is enough space for that



NEXT STEPS/INPUTS NEEDED

- Number of cables?
- Supports in vertical pipes?
- Price and feasibility of external support with threaded cylinder in both sides.
- FR4 of 3-4mm for the plates.
- Production deadline?
- Material of the bolts used in the supports?
- Final diameter of the cable needed, we know it?